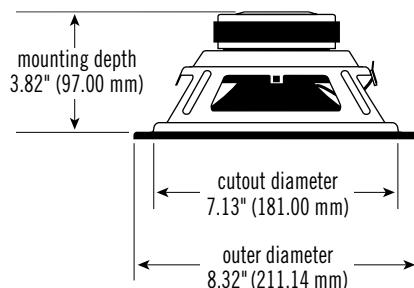


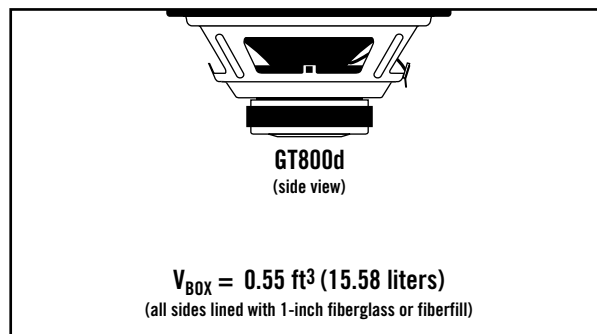
## SPECIFICATIONS

DIAMETER:	8" (203.2 mm)
SENSITIVITY (2.83 V @ 1 m):	93 dB
POWER HANDLING:	200 W <sub>RMS</sub>
FREQUENCY RESPONSE:	35 ~ 5,000 Hz
NOMINAL IMPEDANCE:	4 OHMS (PER COIL)
VOICE-COIL DIAMETER:	1.5" (38.1 mm)

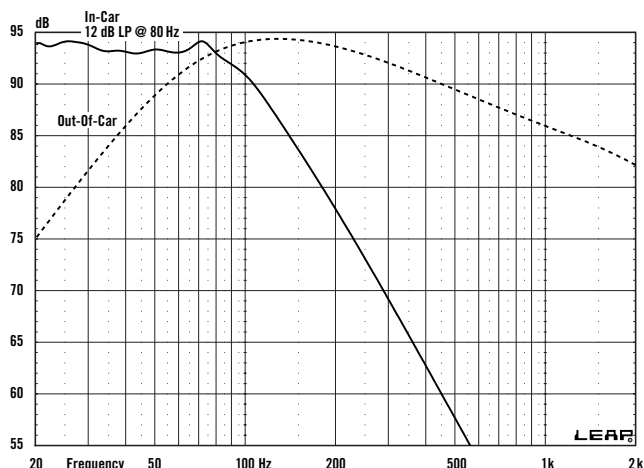
### DIMENSIONS:



## SEALED BOX VOLUME



## SEALED FREQUENCY RESPONSE @ 2.83 V

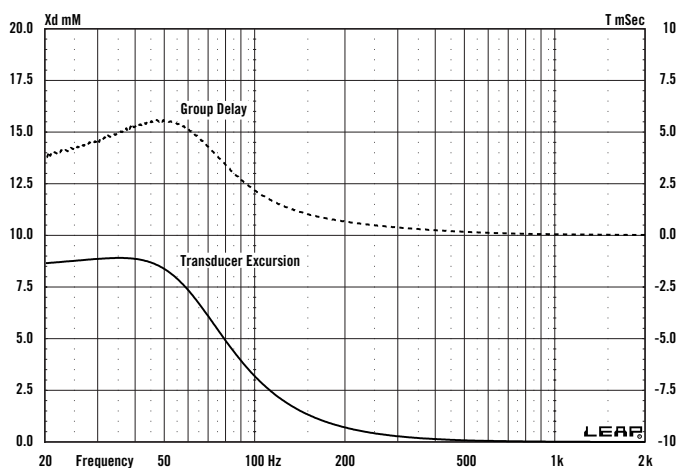


## THIELE-SMALL PARAMETERS\*

VOICE COIL DC RESISTANCE:	$R_{EVC}$ (OHMS) . . . . .	1.68
VOICE COIL INDUCTANCE @ 1 kHz:	$L_{EVC}$ (MH) . . . . .	0.93
DRIVER RADIATING AREA:	$S_D$ (IN <sup>2</sup> ) . . . . .	33.02
	$S_D$ (CM <sup>2</sup> ) . . . . .	214.00
MOTOR FORCE FACTOR:	$BL$ (TM) . . . . .	5.92
COMPLIANCE VOLUME:	$V_{AS}$ (FT <sup>3</sup> ) . . . . .	1.56
	$V_{AS}$ (LITERS) . . . . .	36.70
SUSPENSION COMPLIANCE:	$C_{MS}$ (µM/N) . . . . .	564.34
MOVING MASS, AIR LOAD:	$M_{MS}$ (GRAMS) . . . . .	42.26
MOVING MASS, DIAPHRAGM:	$M_{MD}$ (GRAMS) . . . . .	40.46
FREE-AIR RESONANCE:	$F_S$ (Hz) . . . . .	32.59
MECHANICAL Q:	$Q_{MS}$ . . . . .	11.00
ELECTRICAL Q:	$Q_{ES}$ . . . . .	0.42
TOTAL Q:	$Q_{TS}$ . . . . .	0.40
MAGNETIC-GAP HEIGHT:	$H_{AG}$ (IN) . . . . .	0.31
	$H_{AG}$ (MM) . . . . .	7.92
VOICE-COIL HEIGHT:	$H_{VC}$ (IN) . . . . .	0.63
	$H_{VC}$ (MM) . . . . .	15.88
MAXIMUM EXCURSION:	$X_{MAX}$ (IN) . . . . .	0.16
	$X_{MAX}$ (MM) . . . . .	3.98

\*VOICE COILS CONNECTED IN PARALLEL

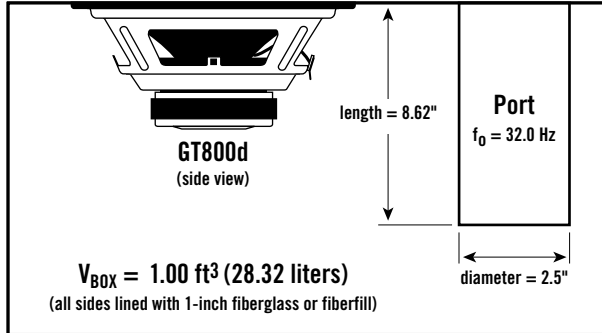
## SEALED EXCURSION/GROUP DELAY @ 75 W



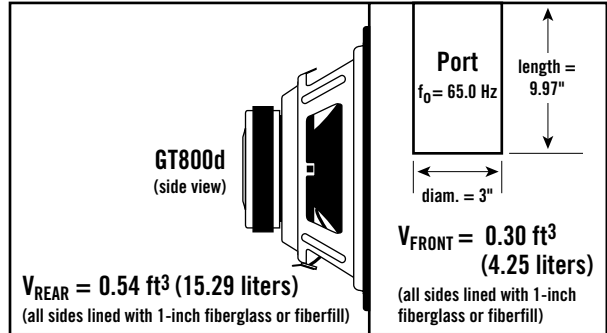


# GT800d 8" Woofer – Technical Data

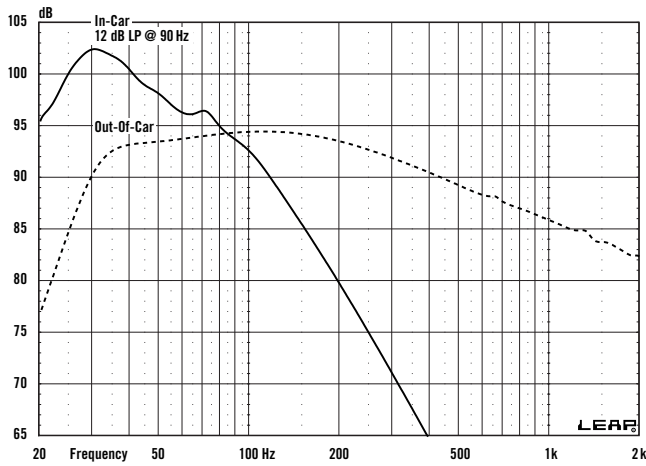
## VENTED BOX VOLUME



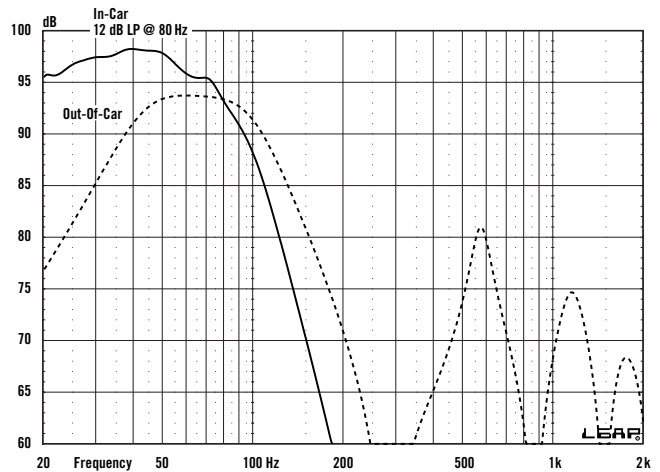
## SEALED BANDPASS BOX VOLUME



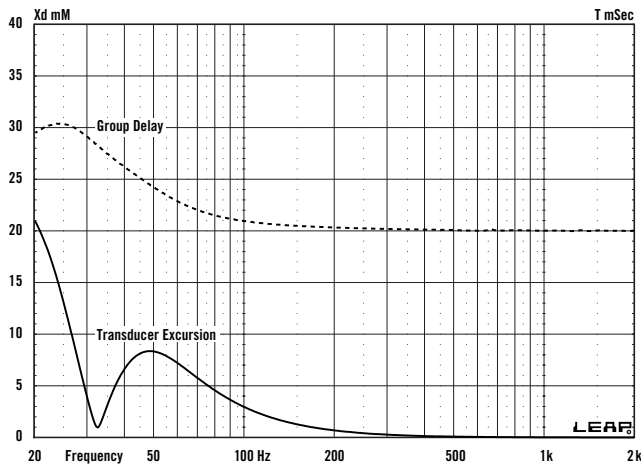
## VENTED FREQUENCY RESPONSE @ 2.83 V



## SEALED BANDPASS FREQUENCY RESPONSE @ 2.83 V



## VENTED EXCURSION/GROUP DELAY @ 75 W



## SEALED BANDPASS EXCURSION/GROUP DELAY @ 75 W

